



Model 118150

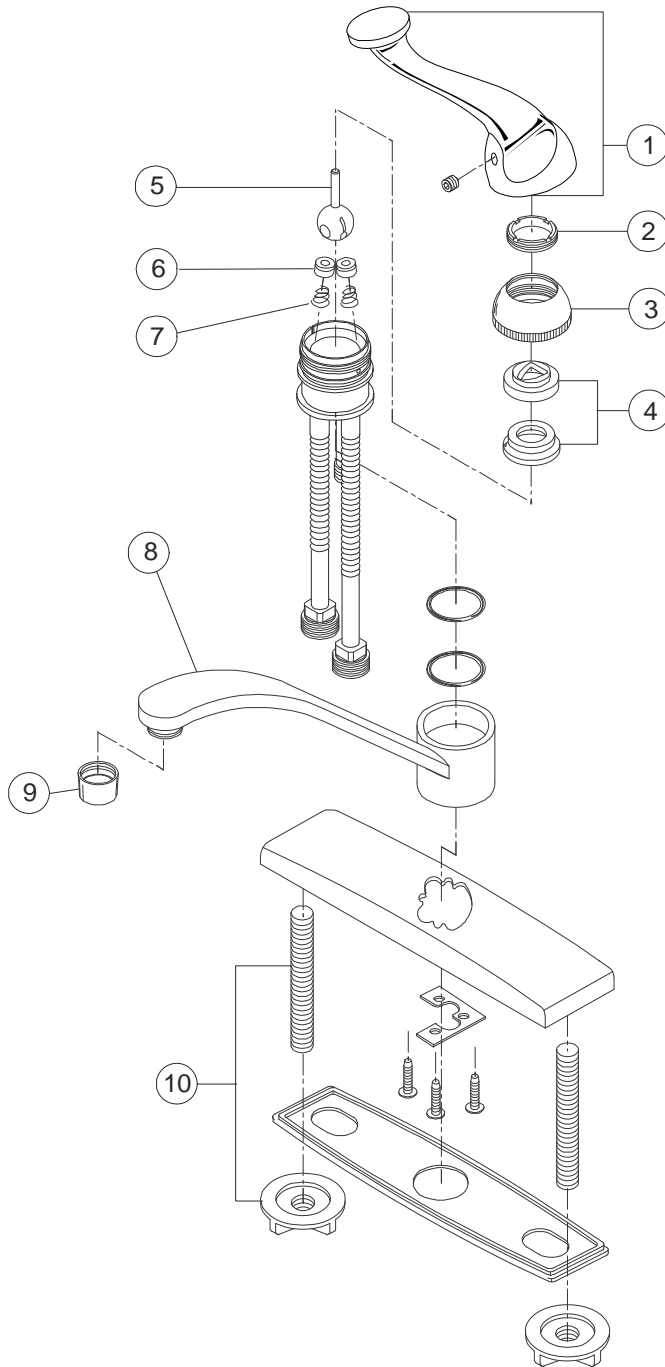
Single Handle Kitchen Faucet
Less Spray
Chrome-Plated Finish
1/2" IPS Connections

Premier
Pro-Pak



Model 118150

Refer to Premier Faucet Parts List Sheet for Part Numbers and Ordering Information.



For additional information, contact Premier Faucet at 866-745-4010 or visit our website at www.premierfaucet.com





Model 118150

Single Handle Kitchen Faucet
Less Spray
Chrome-Plated Finish
1/2" IPS Connections



Model 118150

Refer to Premier Faucet Parts Schematic Sheet for Parts Diagram.

INDEX	DESCRIPTION	MATERIAL	QTY	PART #
1	HANDLE ASSEMBLY	ZINC	1	133096
2	TENSION RING	BRASS	1	133593
3	BONNET NUT & CAP	ZINC	1	133625
4	CAM & PACKING	POM & BUNA-N	1	133577
5	BALL VALVE	STAINLESS STEEL	1	133437
6	SEAT WASHER	RUBBER	2	133398
7	SPRING	STAINLESS STEEL	2	133400
8	SPOUT	BRASS	1	2464187
9	AERATOR	BRASS	1	144211
10	POST & NUT	STEEL	2	1030737

