

Needle Valves

159200 & 159201



Product Features

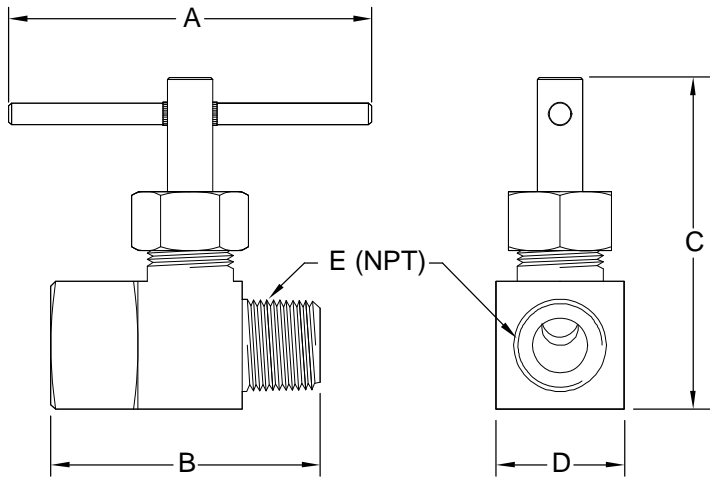
- Lead-free needle valves
- Available in 1/8" & 1/4" FIP x MIP
- Lead-free brass construction
- Hard seat
- Suitable for use with potable water systems

Performance Specifications

- Max. working pressure rating: 150 PSI
- Working temperature range: up to 180°F

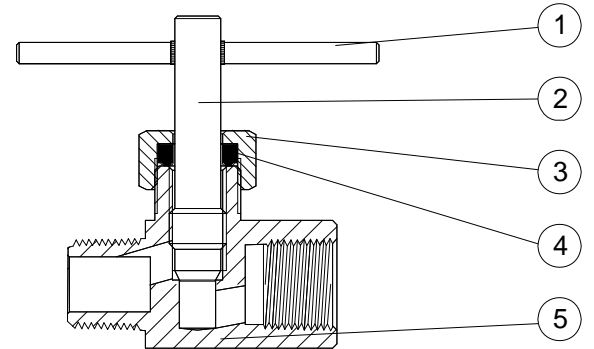
Compliance

- ASME B1.20.1 (pipe threads)
- Lead-free per the Safe Drinking Water Act
- California Health & Safety Code 116875
- Complies with EPA lead-free regulations



All dimensions are nominal.

Model	Size	A	B	C	D	E (NPT)
159200	1/8"	1-1/2"	1-1/8"	1-3/8"	1/2"	1/8" MIP
159201	1/4"	1-1/2"	1-1/4"	1-1/2"	5/8"	1/4" MIP



No.	Part	Material	Qty
1	Handle	Stainless steel	1
2	Stem	C46400 brass	1
3	Stem gland nut	C37700 brass	1
4	Packing	NBR	1
5	Body	C46400 brass	1