



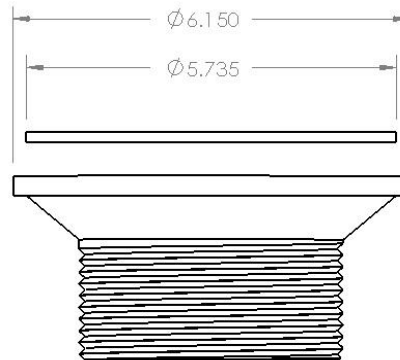
4700 W. 160th St.
Cleveland, OH 44135
PH:800-321-9532
FX:800-321-9535
www.oatey.com

TECHNICAL SPECIFICATION

PLASTIC BARREL CLEANOUTS



TECHNICAL SPECIFICATION: Oatey Plastic Barrel Cleanouts are designed for use in areas where moderate to heavy traffic is expected. Barrel length allows for 1-3/4" height adjustment. Barrel threads are 3-1/2" IPS



PHYSICAL/CHEMICAL PROPERTIES

Material/Color Nickel, Chrome & Brass

PRODUCT NUMBER	DESCRIPTION	PACK	CARTON WEIGHT
74120	1-1/2" x 2" ABS 6" x 6" Utility Drain	1	2 lbs
74130	1-1/2" x 2" PVC 6" x 6" Utility Drain	1	2 lbs
74140	IPS Adj. Barrel & 6" Round BR Cover & Square Ring	1	2 lbs
74150	IPS Adj. Barrel & 6" Round NI Cover	1	2 lbs
74160	IPS Adj. Barrel & 6" Round NI Cover & Ring	1	2 lbs
74170	IPS Adj. Barrel & 6" Round NI Cover & Square Ring	1	2 lbs
74180	IPS Adj. Barrel & 6" Round CHR Cover	1	2 lbs
74190	IPS Adj. Barrel & 6" Round CHR Cover & Ring	1	2 lbs
74200	IPS Adj. Barrel & 6" round CHR cover & square Ring	1	2 lbs