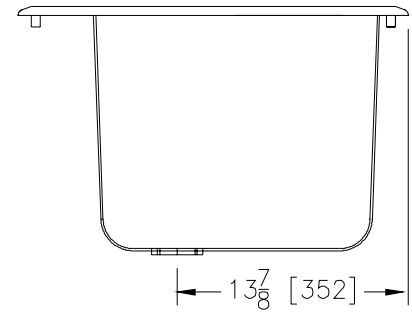
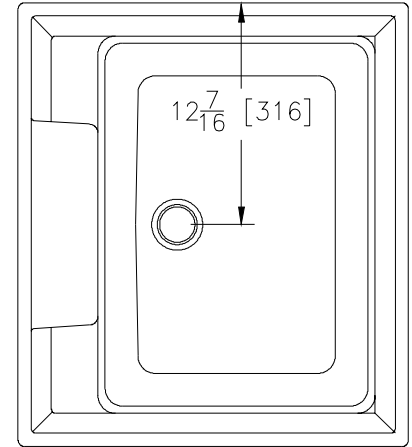
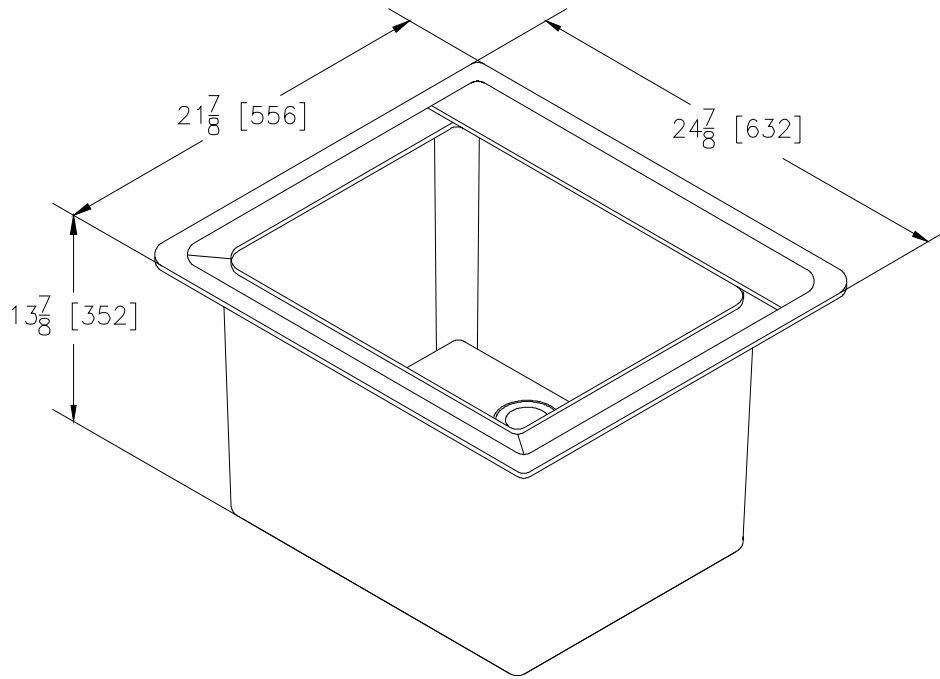


Dimensional Data (inches and [mm]) are Subject to Manufacturing Tolerances and Change Without Notice



Product	Sink Size	Approx. Wt. Lbs. [kg]
MS2624	22x25x14 [559x635x355]	11 [5]

MS2624 22x25x14 [559x635x355] COUNTER TOP DROP IN SINK
Material composition is SMC(sheet molded compound). Design shall be one piece, self rimming and complete with 1-1/2 [38] PVC drain assembly. Conforms to ASNI Z124.6. Fits standard 21 [534] x 24 [610] countertop cutout.