



12" Rough-in

Features:

AV-21-802

- Vitreous China
- Combination bowl and tank
- 3" Flush valve with Fluidmaster® pilot valve for quiet fill
- 12" Rough-in
- Round Front bowl
- Dual-fed siphon jet action bowl (no splashing)
- 2" Fully Glazed trapway for effective waste removal
- Color matched metal tank lever
- 6 point tank to bowl connection for tank stability
- Sanitary bead for easy cleaning
- Color matched Bolt caps included
- Toilet seat not included



Technical Information:

Included Components:

- Combination AV-21-802
- Bowl AV-21-852
- Tank AV-28-890

Other Tank Options: (bowl to be purchased separately)

- Insulated Tank AV-28-892
- Tank with Right Hand Lever AV-28-890-97

Fixtures:

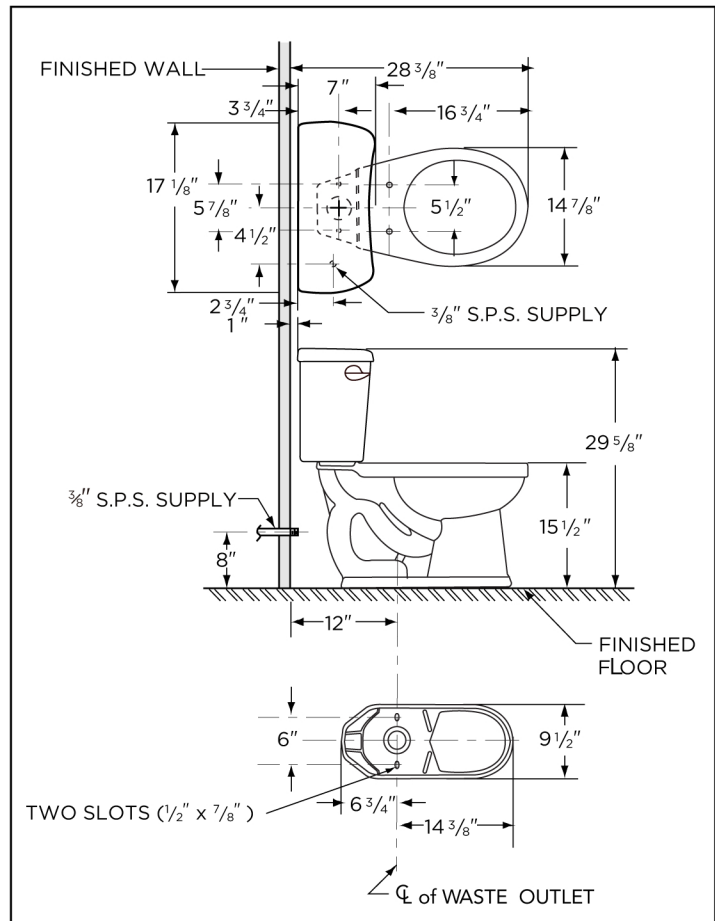
Configuration	two-piece, round front
Water per Flush	1.6 gpf (6 Lpf)
Rough-In	12"
Height	29 5/8"
Width	17 1/8 "
Depth	27 3/8"
Trapway	2"
Large Water Surface	9 5/8" x 6 3/4"
Shipping Weight	83 lbs

Colors/Finishes:

- White
- Other: Refer to Price Book for additional colors/finishes

Warranty:

- Limited lifetime warranty



NOTES: All dimensions are in inches. Illustrations may not be drawn to scale.

IMPORTANT:

Dimensions of fixtures are nominal and may vary within the range of tolerances established by ASME standard A 112.19.2 THIS FIXTURE QUALIFIES ACCORDING TO ASME TEST PROCEDURES AS A LOW CONSUMPTION WATER CLOSET WITH AN AVERAGE CONSUMPTION OF 1.6gpf (6 Lpf) OR LESS.