

**FALCON®**

Door controls



# Table of contents

6	SC70 Series
10	SC80 Series
14	SC60 Series
18	SC90 Series
22	OHC100 Series
24	8200 Series
28	How to order
30	Competitive cross reference
30	Sample specifications
31	Cylinder options
31	Warranty





# The Falcon difference

## Safety, security and uncompromising value

At Falcon, we know that every product you sell not only has to meet local building codes, but also your expectations for performance and quality. We take your expectations seriously, and that's why we build our door closers to deliver durability, convenience and unmatched value. After all, we've built our reputation on the same standards that you have – providing quality products at a reasonable price delivered on time. It's the way we do business and it's what makes Falcon door closers a powerful choice no matter what your project.



# SC70 Series



Falcon SC70 Series heavy duty closers are built for applications that demand reliable door control and easy maintenance. The SC70 Series closers are ANSI grade 1, ADA compliant and deliver tough performance. Choose the SC70 for interior or exterior doors in retail shops, restaurants, small offices and many other high traffic applications.

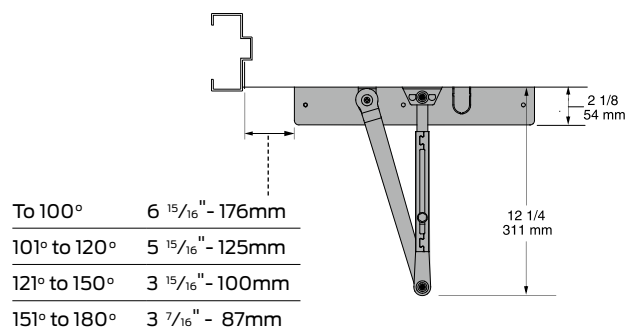
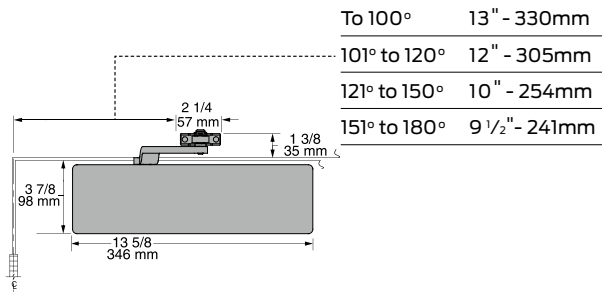
## Standard features

- Meets ANSI A117.1
- ANSI/BHMA A156.4, grade 1
- UL listed
- 1 1/2" diameter piston
- Closer mounts hinge side, top jamb or parallel arm when either the RW/PA or HW/PA arm is specified.
- Adjustable sizes 1-6
- Single piece cast aluminum body
- Staked valves
- Non-handed for left or right swinging doors
- Fast and easy installation
- Separate adjustable general speed, latch speed and backcheck
- Heat-treated forged steel piston
- Double heat-treated pinion
- Cover is high-impact UL listed fire retardant plastic that meets UL 10C and UBC 7-2 (1997) fire test
- UL 10C approved fluid
- Universal screw pack for aluminum, hollow metal and wood doors
- 10-year warranty

## Listings and certifications

The Falcon SC71 is UL approved and compliant with the UL 10C and UBC 7-2 (1997) fire test. Additionally, the SC71 is rated ANSI/BHMA A156.4, grade 1 and designed to meet the American Disabilities Act (ADA) and ANSI A117.1

## SC70 Series hinge (pull side)



**Butt hinges** should not exceed 5" (127mm) in width.

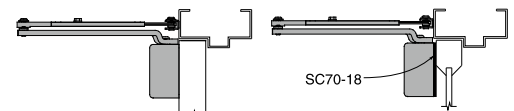
**Auxiliary stop** is recommended at hold-open point or where a door cannot swing 180°.

**Reveal** should not exceed 3/4" (19mm) for regular arm or hold-open arm.

**Top rail** less than 3 7/8" (98mm) requires plate SC70-18.

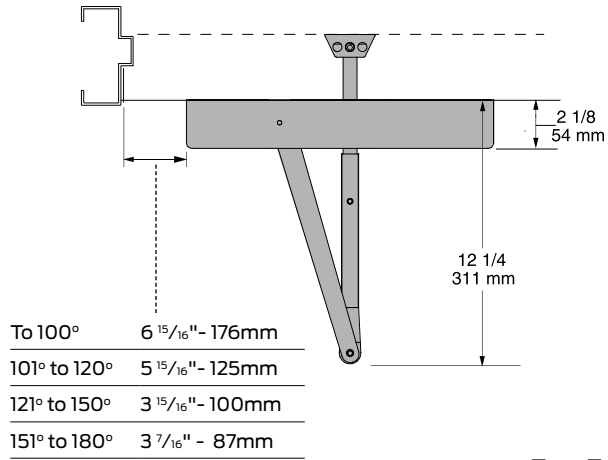
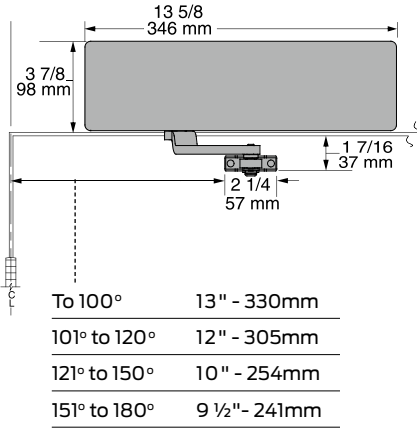
**Clearance** of 2 1/8" (54mm) behind door required for 90° installation.

**Delayed action** add suffix "DEL" to selected cylinder (ex. SC70 DEL). Delays closing from maximum opening to approx. 70°, with adjustable delay time.





## SC70 Series top jamb (push side)



**Butt hinges** should not exceed 5" (127mm) in width.

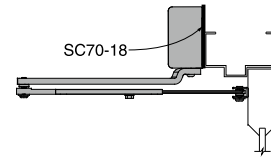
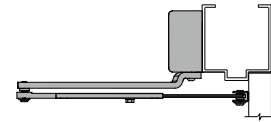
**Auxiliary stop** is recommended at hold-open point or where a door cannot swing 180°

**Reveal** should not exceed 3 1/4" (83mm) for regular arm or hold-open arm.

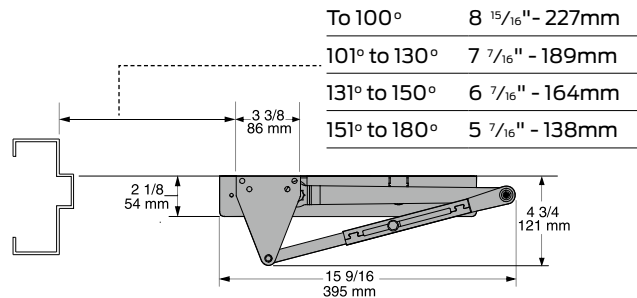
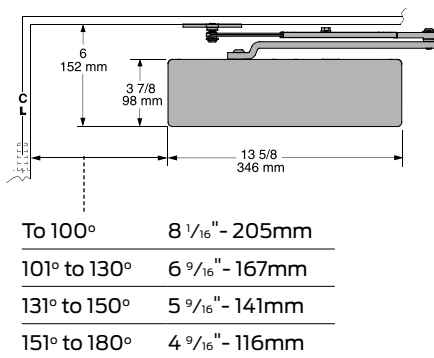
**Top rail** of 1 1/2" (38mm) required.

**Head frame** less than 3 7/8" (98mm) requires plate SC70-18.

**Delayed action** add suffix "DEL" to selected cylinder (ex. SC70 DEL). Delays closing from maximum opening to approx. 70°, with adjustable delay time.



## SC70 Series parallel (push side)

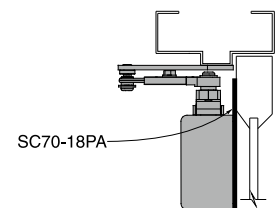
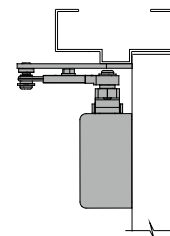


**Butt hinges** should not exceed 5" (127mm) in width.

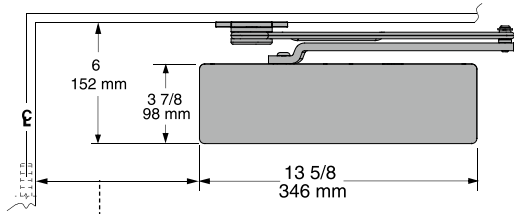
**Auxiliary stop** is recommended at hold-open point or where a door cannot swing 180°

**Top rail** less than 6" (152mm) measured from stop requires plate SC70-18PA.

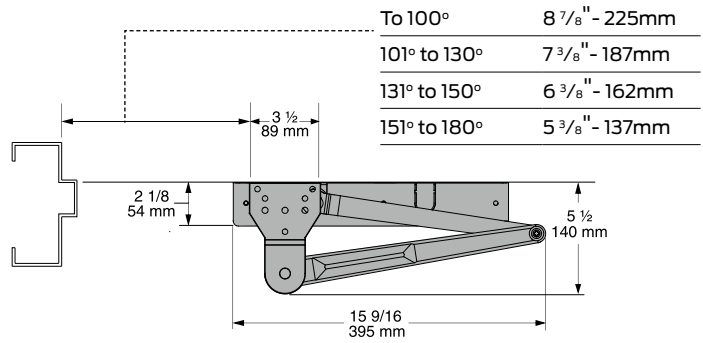
**Delayed action** add suffix "DEL" to selected cylinder (ex. SC70 DEL). Delays closing from maximum opening to approx. 70°, with adjustable delay time.



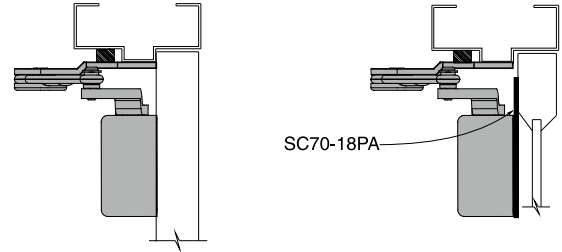
## SC70 Series heavy duty (parallel)



To 100°	8 1/16" - 205mm
101° to 130°	6 9/16" - 167mm
131° to 150°	5 9/16" - 141mm
151° to 180°	4 9/16" - 116mm



To 100°	8 7/8" - 225mm
101° to 130°	7 3/8" - 187mm
131° to 150°	6 3/8" - 162mm
151° to 180°	5 3/8" - 137mm



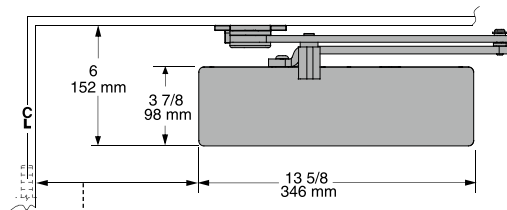
**Butt hinges** should not exceed 5" (127mm) in width.

**Auxiliary stop** is recommended at hold-open point, where a door cannot swing 180°, or where dead stop or spring-n-stop arm is not used.

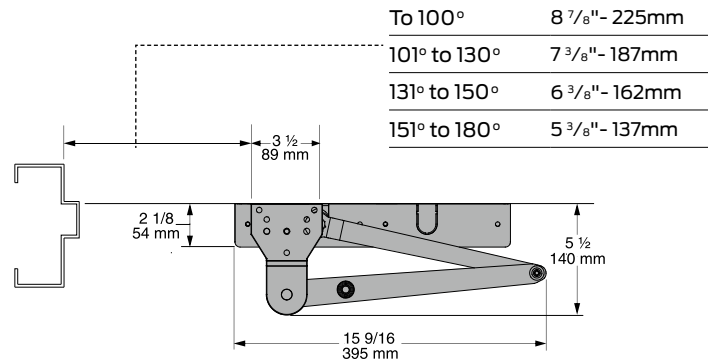
**Top rail** less than 6" (152mm) measured from stop requires plate SC70-18PA.

**Delayed action** add suffix "DEL" to selected cylinder (ex. SC70 DEL). Delays closing from maximum opening to approx. 70°, with adjustable delay time.

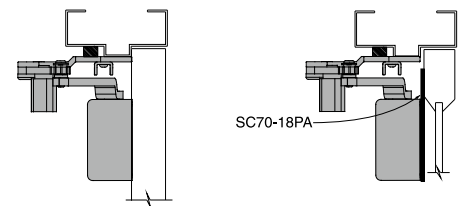
## SC70 Series dead stop HO (parallel)



To 100°	8 1/16" - 205mm
101° to 130°	6 9/16" - 167mm
131° to 150°	5 9/16" - 141mm
151° to 180°	4 9/16" - 116mm



To 100°	8 7/8" - 225mm
101° to 130°	7 3/8" - 187mm
131° to 150°	6 3/8" - 162mm
151° to 180°	5 3/8" - 137mm

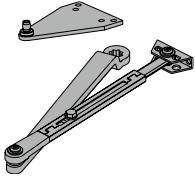


**Butt hinges** should not exceed 5" (127mm) in width.

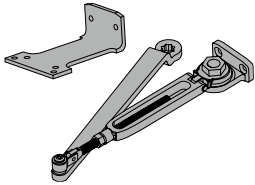
**Top rail** less than 6" (152mm) measured from stop requires plate SC70-18PA.

**Delayed action** add suffix "DEL" to selected cylinder (ex. SC70 DEL). Delays closing from maximum opening to approx. 70°, with adjustable delay time.

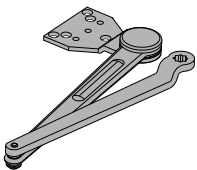
## Arm types All SC70 Series closers come with full cover, standard arm and screw pack.



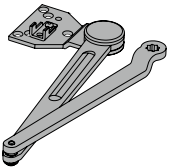
**Regular arm, SC70-3077PA**  
Non-handed arm with adjustable forearm assembly to accommodate a range of doors and frame reveal conditions. Mounts hinge side, top jamb or parallel arm. PA shoe included to allow installation in a parallel arm configuration.



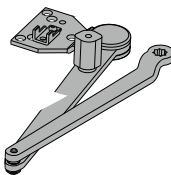
**Hold-open arm, SC70-3049PA**  
Optional, non-handed, hold open arm with adjustable forearm assembly to accommodate a range of doors and frame reveal conditions. Mounts hinge side, top jamb or parallel arm. PA shoe included to allow installation in a parallel arm configuration.



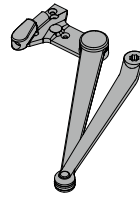
**Heavy duty regular arm, SC70-3077HD**  
Optional, non-handed, stamped, heavy duty, parallel arm for use in high-traffic applications.



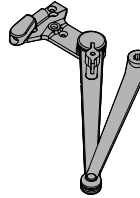
**Dead stop arm, SC70-3077DS**  
Optional, non-handed, stamped, heavy duty, parallel arm includes a positive mechanical stop and non-adjustable forearm assembly for high volume traffic or potentially abusive installation conditions.



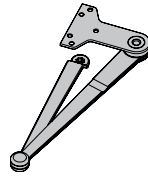
**Dead stop hold-open arm, SC70-3049DS**  
Optional, non-handed, stamped, heavy duty, hold-open parallel arm includes a positive mechanical stop and non-adjustable forearm assembly for high volume traffic or potentially abusive installation conditions. Also includes a manually selective hold-open function.



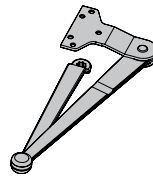
**Spring-n-stop arm, SC70-3077SS**  
Optional, non-handed, extra heavy-duty, forged parallel arm includes an integral spring stop and non-adjustable forearm assembly for high volume traffic or potentially abusive installation conditions.



**Spring-n-stop hold-open arm, SC70-3049SS**  
Optional, non-handed, extra heavy-duty, forged parallel arm includes an integral spring stop and non-adjustable forearm assembly for high volume traffic or potentially abusive installation conditions. Also includes a manually selective hold-open function.

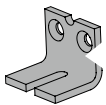


**Forged arm, SC70-3077FA**  
Optional, non-handed, extra heavy-duty arm with parallel arm bracket. Includes a forged steel main arm and forearm for maximum durability in high traffic and/or abusive applications. Parallel Arm (PA) bracket is a permanent feature, installation on "push" side of the door in a parallel arm type configuration is required.

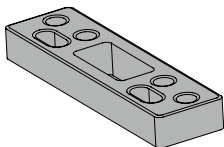


**Forged arm with hold open, SC70-3049FA**  
Optional, non-handed, extra heavy-duty arm with parallel arm bracket that incorporates a hold open feature. Includes a forged steel main arm and forearm for maximum durability in high traffic and/or abusive applications. Parallel Arm (PA) bracket is a permanent feature, installation on "push" side of the door in a parallel arm type configuration is required.

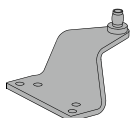
## Installation accessories



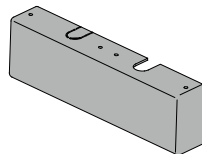
**Soffit shoe support, SC70-30**  
Provides anchorage for fifth screw used with soffit shoe, where reveal is less than 3 1/16" (78mm).



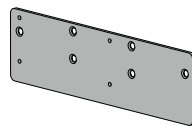
**Blade stop spacer, SC70-61**  
Required to lower parallel arm shoe to clear 1/2" (13mm) blade stop.



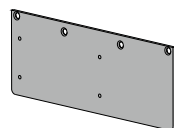
**Auxiliary shoe, SC70-62A**  
Requires a top rail of 7" (178mm). Optional shoe replaces PA shoe for parallel arm mounting of regular arm with overhead holder/stop.



**Cover, SC70-72**  
Standard, non-handed, full plastic cover encloses the closer body.



**Plate, SC70-18**  
Required for hinge side mount where top rail is less than 3 7/8" (98mm). Required for top jamb mounting where head frame is less than 3 7/8" (98mm).



**Plate, SC70-18PA**  
Required for parallel arm mounting where top rail is less than 6" (152 mm), measured from the stop. Plate requires 1 3/4" (44mm) minimum top rail measured from stop.



# SC80 Series



Medium-duty applications like retail storefronts, cafes and clinics that need a closer that makes door operation smooth and secure. The Falcon SC80 Series brings ANSI grade 1 durability and reliable performance to interior and exterior doors. An adjustable design ensures flexible installation and ADA compliance.

## Standard features

- Meets ANSI A117.1
- ANSI/BHMA A156.4, grade 1
- UL listed
- 1 1/4" diameter piston
- Closer mounts hinge side, top jamb or parallel arm when either the RW/PA or HW/PA arm is specified.
- Fully adjustable sizes 1-6
- Single piece cast aluminum body
- Non-handed for left or right swinging doors
- Separate adjustable general speed, latch speed and backcheck
- Heat-treated steel piston
- Heat-treated pinion
- Cover is high-impact UL listed fire retardant plastic that meets UL 10C and UBC 7-2 (1997) fire test
- UL 10C approved fluid
- Universal screw pack for aluminum, hollow metal, and wood doors
- 10-year warranty

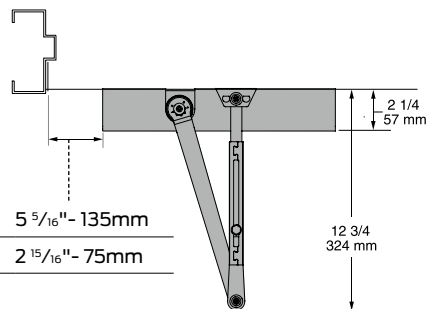
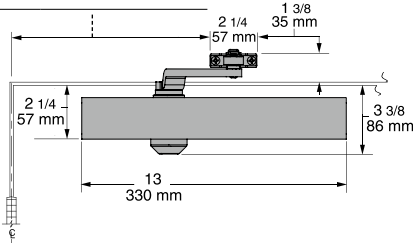
## Listings and certifications

The Falcon SC81 is UL approved and compliant with the UL 10C and UBC 7-2 (1997) fire test. Additionally, the SC81 is designed to meet the American Disabilities Act (ADA) and ANSI A117.1. The SC81 is ANSI/BHMA A156.4, grade 1 certified.

## SC80 Series hinge (pull side)

To 120° 11 3/4" - 298mm

121° to 180° 8 1/2" - 216mm



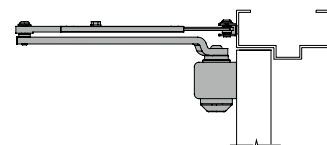
**Butt hinges** should not exceed 5" (127mm) in width.

**Auxiliary stop** is recommended at hold-open point or where a door cannot swing 180°

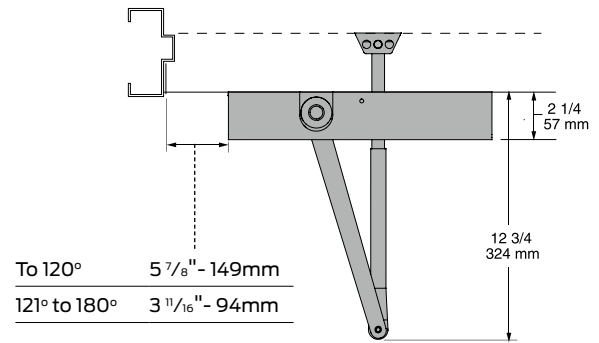
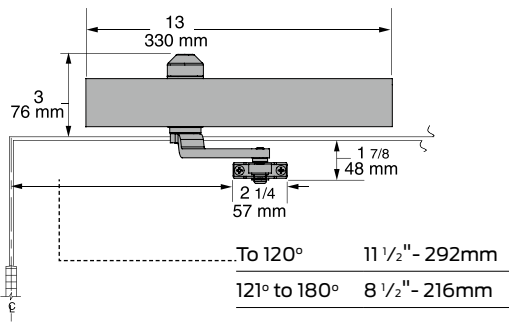
**Reveal** should not exceed 3/4" (19mm) for regular arm or hold-open arm.

**Clearance** of 2 1/4" (57mm) behind door required for 90° installation.

**Delayed action** add suffix "DEL" to selected cylinder (ex. SC80 DEL). Delays closing from maximum opening to approximately 70° with adjustable delay time.



## SC80 Series top jamb (push side)



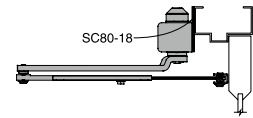
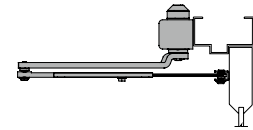
**Butt hinges** should not exceed 5" (127mm) in width.

**Auxiliary stop** is recommended at hold-open point or where a door cannot swing 180°.

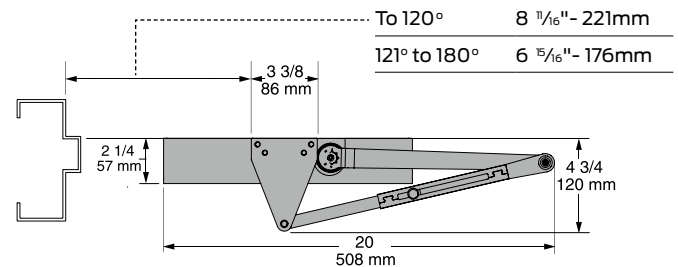
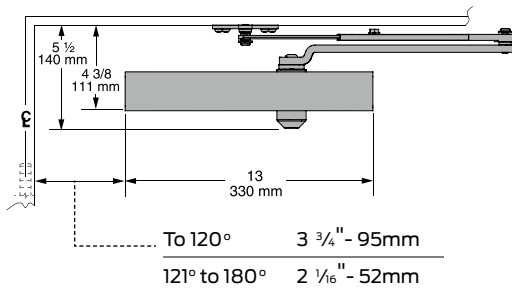
**Reveal** should not exceed 3 1/4" (83mm) for regular arm or hold-open arm.

**Head frame** less than 1 3/4" (44mm) requires plate SC80-18.

**Delayed action** add suffix "DEL" to selected cylinder (ex. SC80 DEL). Delays closing from maximum opening to approximately 70°, with adjustable delay time.



## SC80 Series parallel (push side)

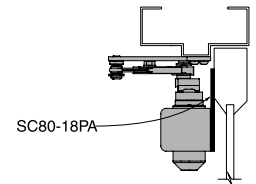
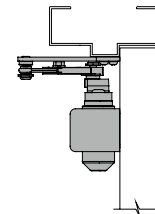


**Butt hinges** should not exceed 5" (127mm) in width.

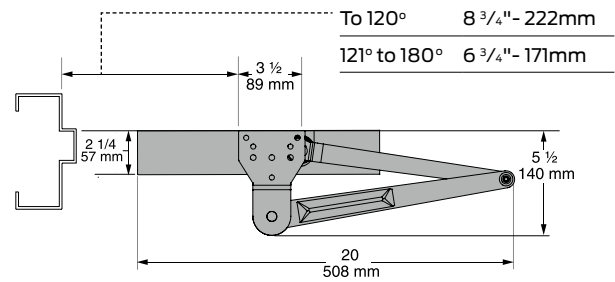
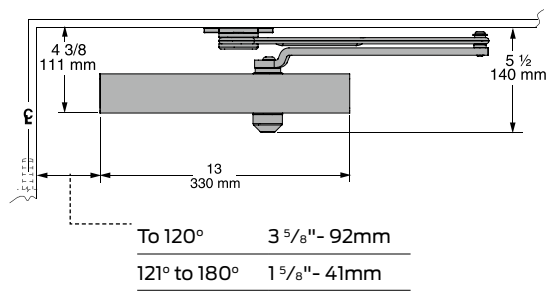
**Auxiliary stop** is recommended at hold-open point or where a door cannot swing 180°.

**Top rail** less than 4 3/8" (111mm) measured from stop requires plate SC80-18PA.

**Delayed action** add suffix "DEL" to selected cylinder (ex. SC80 DEL). Delays closing from maximum opening to approximately 70°, with adjustable delay time.



## SC80 Series heavy duty (parallel)

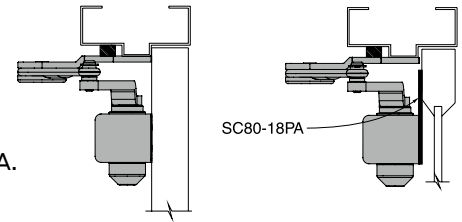


**Butt hinges** should not exceed 5" (127mm) in width.

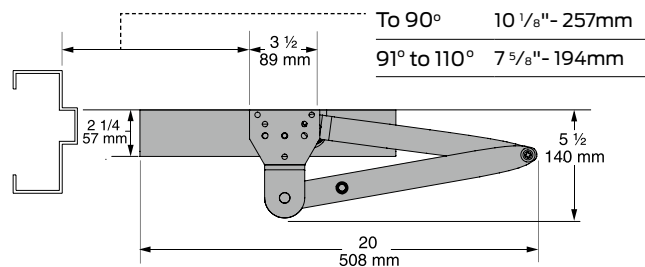
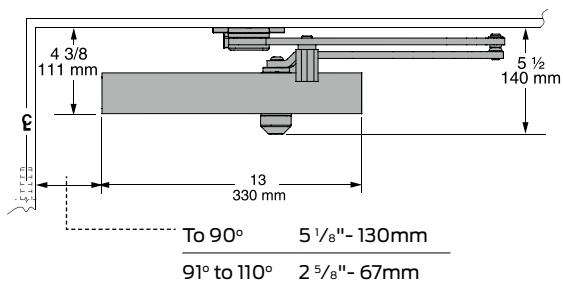
**Auxiliary stop** is recommended at hold-open point, where a door cannot swing 180°, or where Dead stop or Spring-n-stop arm is not used.

**Top rail** less than 4 3/8" (111mm) measured from stop requires plate SC80-18PA.

**Delayed action** add suffix "DEL" to selected cylinder (ex. SC80 DEL). Delays closing from maximum opening to approximately 70°, with adjustable delay time.



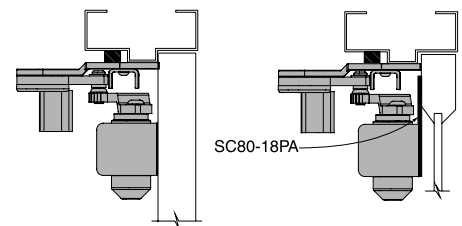
## SC80 Series dead stop HO (parallel)



**Butt hinges** should not exceed 5" (127mm) in width.

**Top rail** less than 4 3/8" (111mm) measured from stop requires plate SC80-18PA.

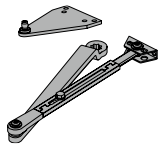
**Delayed action** add suffix "DEL" to selected cylinder (ex. SC80 DEL). Delays closing from maximum opening to approximately 70°, with adjustable delay time.



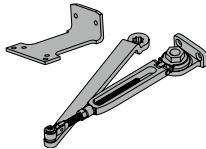


## Arm types

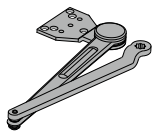
All SC80 Series closers come with slim cover, standard arm and screw pack.



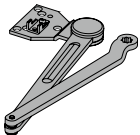
**Regular arm, SC80-3077PA**  
Non-handed arm with adjustable forearm assembly to accommodate a range of doors and frame reveal conditions. Mounts hinge side, top jamb or parallel arm. PA shoe included to allow installation in a parallel arm configuration.



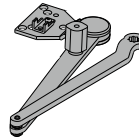
**Hold-open regular arm, SC80-3049PA**  
Optional, non-handed, hold open arm with adjustable forearm assembly to accommodate a range of doors and frame reveal conditions. Mounts hinge side, top jamb or parallel arm. PA shoe included to allow installation in a parallel arm configuration.



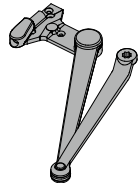
**Heavy duty arm, SC80-3077HD**  
Optional, non-handed, stamped, heavy duty, parallel arm for use in high-traffic applications.



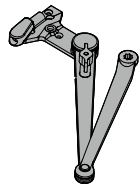
**Dead stop arm, SC80-3077DS**  
Optional, non-handed, stamped, heavy duty, parallel arm includes a positive mechanical stop and non-adjustable forearm assembly for high volume traffic or potentially abusive installation conditions.



**Dead stop hold-open Arm, SC80-3049DS**  
Optional, non-handed, stamped, heavy duty, hold-open parallel arm includes a positive mechanical stop and non-adjustable forearm assembly for high volume traffic or potentially abusive installation conditions. Also includes a manually selective hold-open function.



**Spring-n-stop arm, SC80-3077SS**  
Optional, non-handed, extra heavy-duty, forged parallel arm includes an integral spring stop and non-adjustable forearm assembly for high volume traffic or potentially abusive installation conditions.

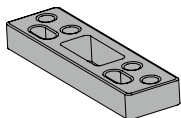


**Spring-n-stop hold-open arm, SC80-3049SS**  
Optional, non-handed, extra heavy-duty, forged parallel arm includes an integral spring stop and non-adjustable forearm assembly for high volume traffic or potentially abusive installation conditions. Also includes a manually selective hold-open function.

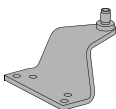
## Installation accessories



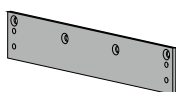
**Soffit shoe support, SC80-30**  
Provides anchorage for fifth screw used with soffit shoe, where reveal is less than  $3\frac{1}{16}$ " (78mm).



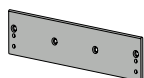
**Blade stop spacer, SC80-61**  
Required to lower parallel arm shoe to clear  $\frac{1}{2}$ " (13mm) blade stop.



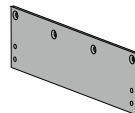
**Auxiliary shoe, SC80-62A**  
Requires a top rail of 7" (178mm). Optional shoe replaces PA shoe for parallel arm mounting of regular arm with overhead holder/stop.



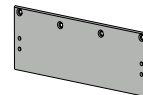
**Plate, SC80-18**  
Required for top jamb mounting where head frame is less than  $1\frac{3}{4}$ " (44mm) or flush ceiling conditions exists.



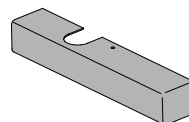
**Plate, SC80-18FC**  
Required for top jamb mounting where head frame is less than  $1\frac{3}{4}$ " (44mm) or flush ceiling conditions exist. To be used with a full cover SC80-72FC.



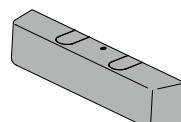
**Plate, SC80-18PA**  
Required for parallel arm mounting where top rail is less than  $4\frac{3}{8}$ " (111mm), measured from the stop. Plate requires  $1\frac{7}{8}$ " (48mm) minimum top rail measured from stop.



**Plate, SC80-18PAFC**  
Required for parallel arm mounting where top rail is less than  $4\frac{3}{8}$ " (111mm), measured from the stop. Plate requires  $1\frac{7}{8}$ " (48mm) minimum top rail measured from stop. To be used with a full cover SC80-72FC.



**Cover, SC80-72**  
Standard, non-handed, slim line plastic cover encloses the closer body with a cap on the unused pinion shaft.



**Cover, SC80-72FC**  
Optional non-handed, full plastic cover encloses the closer body.

# SC60 Series



When you need a dependable closer for a standard-duty application, the Falcon SC60 Series gets the job done. Designed for interior use with an aluminum storefront, the SC60 Series offers ANSI grade 1 durability backed by a ten-year warranty. Most common hole pattern in the industry for versatile use and easy retrofit.

## Standard features

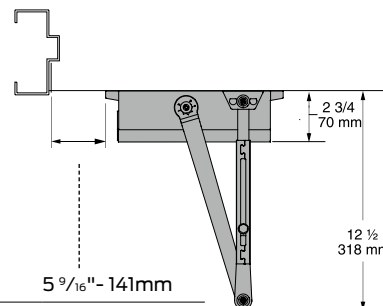
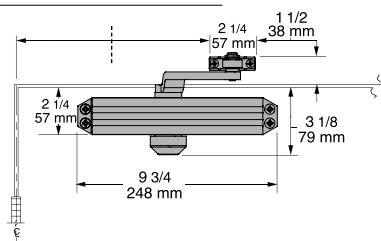
- Fully adjustable 1-5
- Retrofittable, matches Norton 1600 hole pattern
- Meets ANSI A117.1
- ANSI/BHMA A156.4, grade 1
- UL listed
- 1 3/8" diameter piston
- Closer mounts hinge side, top jamb or parallel arm when either the RW/PA or HW/PA arm is specified.
- Single piece cast aluminum body
- Staked valves
- Non-handed for left or right swinging doors
- Separate adjustable general speed, latch speed and backcheck
- Heat-treated steel piston
- Heat-treated pinion
- UL 10C approved fluid
- Universal screw pack
- 10-year warranty

## Listings and certifications

The Falcon SC60 series is UL approved and compliant with the UL 10C and UBC 7-2 (1997) fire test. Additionally, the SC61 is designed to meet the American Disabilities Act (ADA) and ANSI A117.1. The SC60 Series is ANSI/BHMA A156.4, grade 1 certified.

## SC60 Series hinge (pull side)

To 120°	11 13/16" - 300mm
121° to 180°	8 1/4" - 210mm



To 120°	5 9/16" - 141mm
121° to 180°	2 9/16" - 65mm

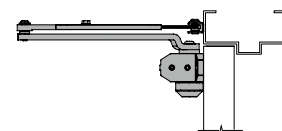
**Butt hinges** should not exceed 5" (127mm) in width.

**Auxiliary stop** is recommended at hold-open point or where a door cannot swing 180°.

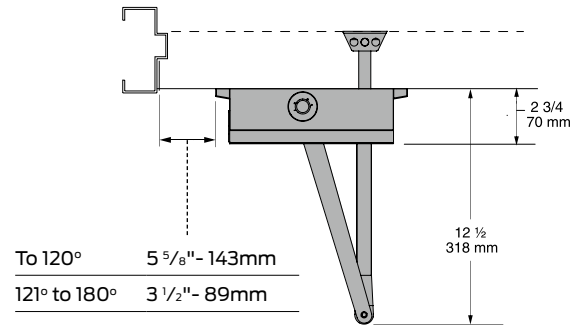
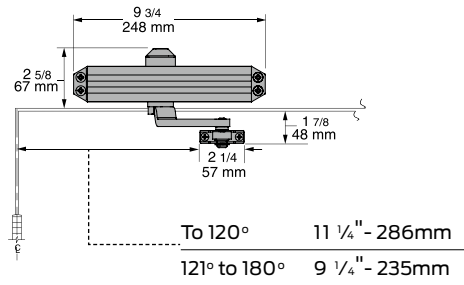
**Reveal** should not exceed 3/4" (19mm) for regular arm or hold-open arm.

**Clearance** of 2 3/4" (70mm) behind door required for 90° installation.

**Delayed action** add suffix "DEL" to selected cylinder (ex. SC60 DEL). Delays closing from maximum opening to approximately 70° with adjustable delay time.



## SC60 Series top jamb (push side)



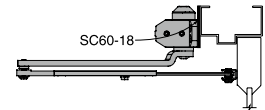
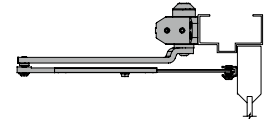
**Butt hinges** should not exceed 5" (127mm) in width.

**Auxiliary stop** is recommended at hold-open point or where a door cannot swing 180°.

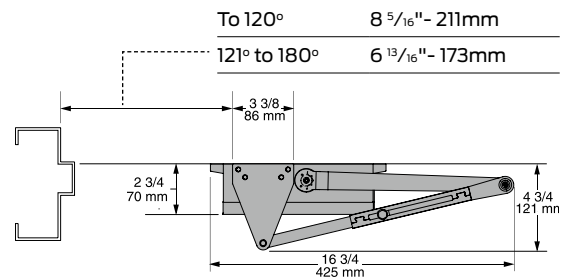
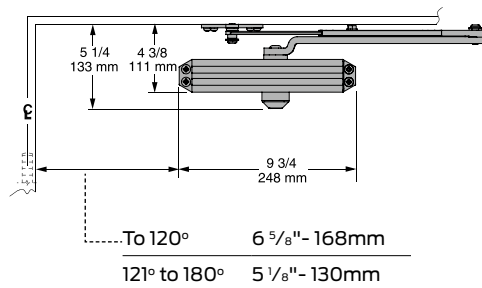
**Reveal** should not exceed  $3 \frac{1}{4}$ " (83mm) for regular arm or hold-open arm.

**Head frame** less than  $1 \frac{3}{4}$ " (44mm) requires plate SC60-18.

**Delayed action** add suffix "DEL" to selected cylinder (ex. SC60 DEL). Delays closing from maximum opening to approximately 70°, with adjustable delay time.



## SC60 Series parallel (push side)

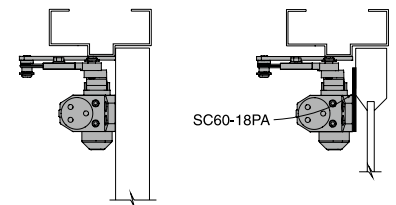


**Butt hinges** should not exceed 5" (127mm) in width.

**Auxiliary stop** is recommended at hold-open point or where a door cannot swing 180°.

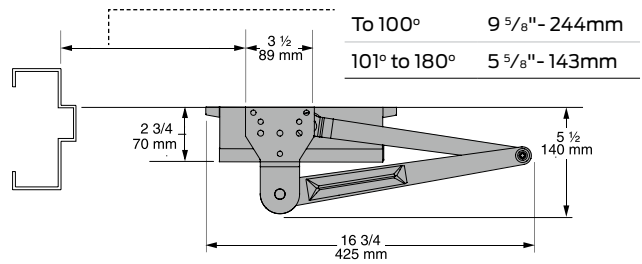
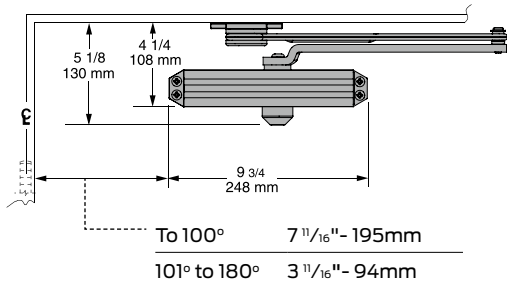
**Top rail** less than  $4 \frac{3}{8}$ " (111mm) measured from stop requires plate SC60-18PA.

**Delayed action** add suffix "DEL" to selected cylinder (ex. SC60 DEL). Delays closing from maximum opening to approximately 70°, with adjustable delay time.





## SC60 Series heavy duty (parallel)

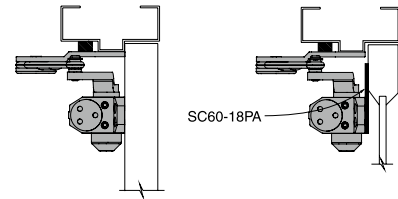


**Butt hinges** should not exceed 5" (127mm) in width.

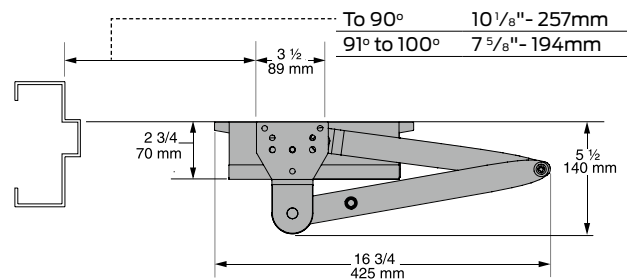
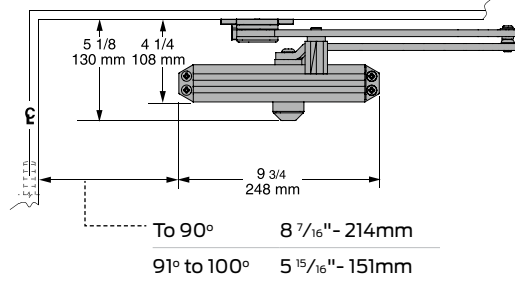
**Auxiliary stop** is recommended at hold-open point, where a door cannot swing 180° or where Dead stop or Spring-n-stop arm is not used.

**Top Rail** less than 4 1/4" (108mm) measured from stop requires plate SC60-18PA.

**Delayed Action** add suffix "DEL" to selected cylinder (ex. SC60 DEL). Delays closing from maximum opening to approximately 70°, with adjustable delay time.



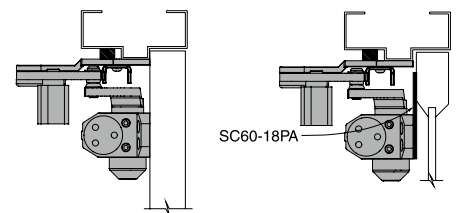
## SC60 Series dead stop HO (parallel)



**Butt hinges** should not exceed 5" (127mm) in width.

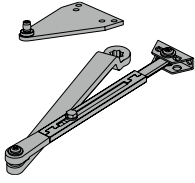
**Top rail** less than 4 1/4" (108mm) measured from stop requires plate SC60-18PA.

**Delayed action** add suffix "DEL" to selected cylinder (ex. SC60 DEL). Delays closing from maximum opening to approximately 70°, with adjustable delay time.

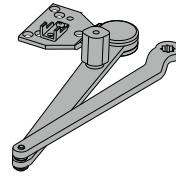


## Arm types

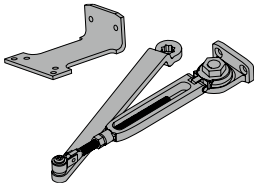
All SC60 Series closers come with standard arm and screw pack.



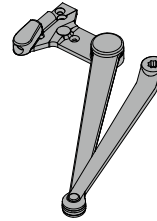
**Regular arm, SC60-3077PA**  
Non-handed arm with adjustable forearm assembly to accommodate a range of doors and frame reveal conditions. Mounts hinge side, top jamb or parallel arm. PA shoe included to allow installation in a parallel arm configuration.



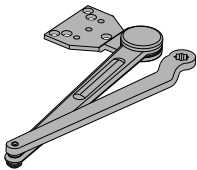
**Dead stop hold-open arm, SC60-3049DS**  
Optional, non-handed, stamped, heavy duty, hold-open parallel arm includes a positive mechanical stop and non-adjustable forearm assembly for high volume traffic or potentially abusive installation conditions. Also includes a manually selective hold-open function.



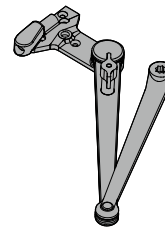
**Hold-open arm, SC60-3049PA**  
Optional, non-handed, hold open arm with adjustable forearm assembly to accommodate a range of doors and frame reveal conditions. Mounts hinge side, top jamb or parallel arm. PA shoe included to allow installation in a parallel arm configuration.



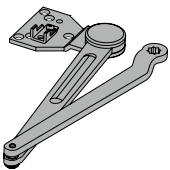
**Spring-n-stop arm, SC60-3077SS**  
Optional, non-handed, extra heavy-duty, forged parallel arm includes an integral spring stop and non-adjustable forearm assembly for high volume traffic or potentially abusive installation conditions.



**Heavy duty regular arm, SC60-3077HD**  
Optional, non-handed, stamped, heavy duty, parallel arm for use in high-traffic applications.



**Spring-n-stop hold-open arm, SC60-3049SS**  
Optional, non-handed, extra heavy-duty, forged parallel arm includes an integral spring stop and non-adjustable forearm assembly for high volume traffic or potentially abusive installation conditions. Also includes a manually selective hold-open function.

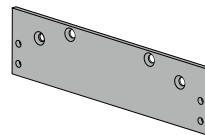


**Dead stop arm, SC60-3077DS**  
Optional, non-handed, stamped, heavy duty, parallel arm includes a positive mechanical stop and non-adjustable forearm assembly for high volume traffic or potentially abusive installation conditions.

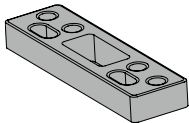
## Installation accessories



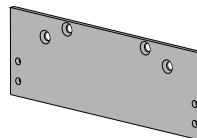
**Soffit shoe support, SC60-30**  
Provides anchorage for fifth screw used with soffit shoe, where reveal is less than 3 1/16" (78mm).



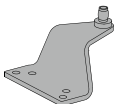
**Plate, SC60-18**  
Required for top jamb mounting where head frame is less than 1 3/4" (44mm).



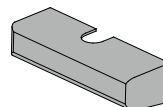
**Blade stop spacer, SC60-61**  
Required to lower parallel arm shoe to clear 1/2" (13mm) blade stop.



**Plate, SC60-18PA**  
Required for parallel arm mounting where top rail is less than 4 3/8" (111mm) for PA, 4 1/4" (108mm) for HD and DS, measured from the stop. Plate requires 2 3/8" (60mm) minimum top rail measured from stop.



**Auxiliary shoe, SC60-62A**  
Requires a top rail of 7" (178mm). Optional shoe replaces PA shoe for parallel arm mounting of regular arm with overhead holder/stop.



**Cover, SC60-72**  
Optional, non-handed, slim line plastic cover. Available on SC60 and SC61 only.

# SC90 Series



Designed for light-duty interior applications the Falcon SC90 closer ensures smooth, reliable operation, while meeting ADA accessibility requirements. The SC90 is backed by a ten-year warranty and is preset for easy installation.

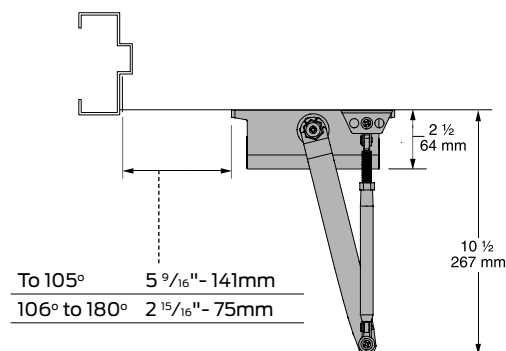
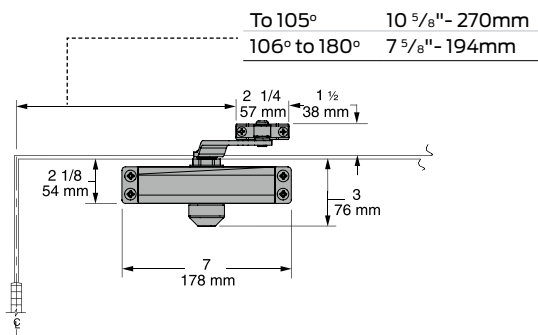
## Standard features

- Meets ANSI A117.1
- ANSI/BHMA A156.4, grade 3
- UL listed
- Closer mounts hinge side, top jamb or parallel arm
- when either the RW/PA or HW/PA arm is specified.
- Fixed sizes 1, 3 & 4
- Single piece cast aluminum body
- Non-handed for left or right swinging doors
- Adjustable backcheck
- Separate adjustable general speed and latch speed
- Heat-treated steel piston
- Heat-treated pinion
- • UL 10C approved fluid
- • Universal screw pack
- • 10-year warranty

## Listings and certifications

The Falcon SC90 Series is UL approved and compliant with the UL 10C and UBC 7-2 (1997) fire test. Additionally the SC90 Series is designed to meet the American Disabilities Act (ADA) and ANSI A117.1. The SC90 Series is ANSI/BHMA A156.4, Grade 3 certified.

## SC91 Hinge (pull side)

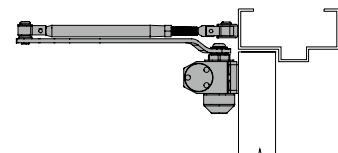


**Butt Hinges** should not exceed 5" (127mm) in width.

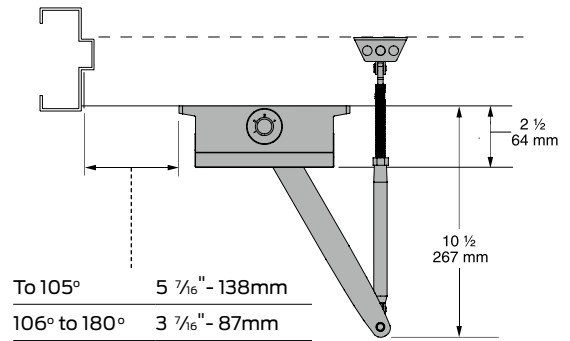
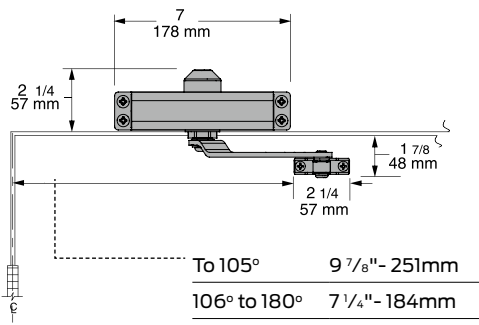
**Auxiliary Stop** is recommended at hold-open point or where a door cannot swing 180°

**Reveal** should not exceed 3/4" (19mm) for regular arm or hold-open arm.

**Clearance** of 2 1/2" (64mm) behind door required for 90° installation.



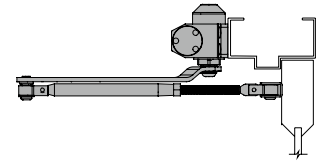
## SC91 Top jamb (push side)



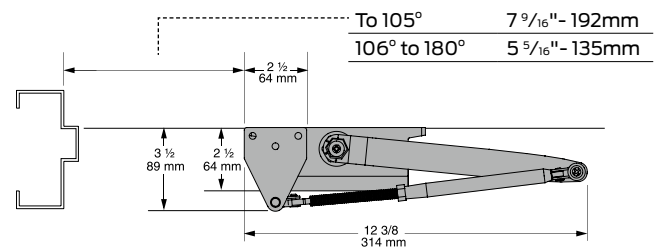
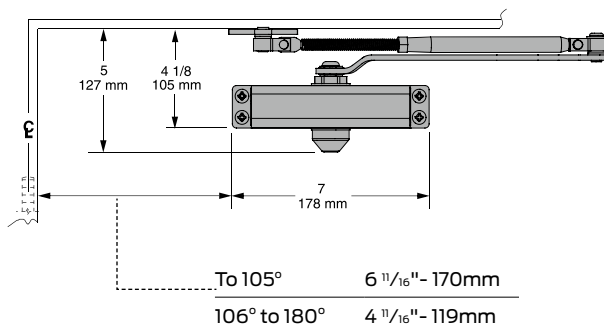
**Butt hinges** should not exceed 5" (127mm) in width.

**Auxiliary stop** is recommended at hold-open point or where a door cannot swing 180°.

**Reveal** should not exceed 3 1/4" (83mm) for regular arm or hold-open arm.

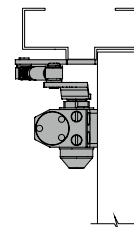


## SC91 Parallel (push side)

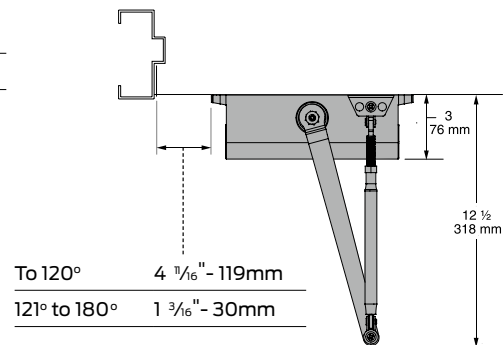
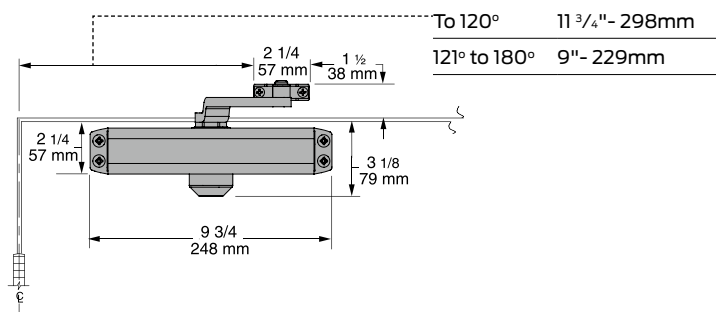


**Butt hinges** should not exceed 5" (127mm) in width.

**Auxiliary stop** is recommended at hold-open point or where a door cannot swing 180°.



## SC93/94 Hinge (pull side)



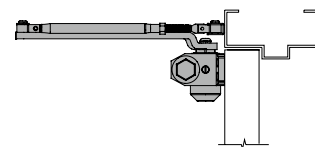
**Butt hinges** should not exceed 5" (127mm) in width.

**Auxiliary stop** is recommended at hold-open point or where a door cannot swing 180°.

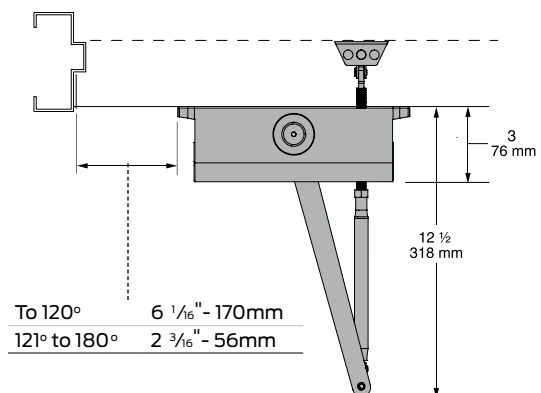
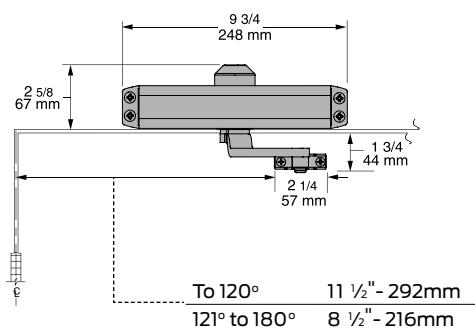
**Reveal** should not exceed 3/4" (19mm) for regular arm or hold-open arm.

**Clearance** of 3" (76mm) behind door required for 90° installation.

**Backcheck** closer with the backcheck option requires 105° mounting.



## SC93/94 Top jamb (push side)

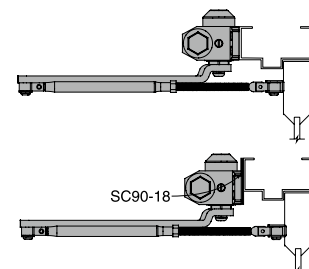


**Butt hinges** should not exceed 5" (127mm) in width.

**Auxiliary stop** is recommended at hold-open point or where a door cannot swing 180°.

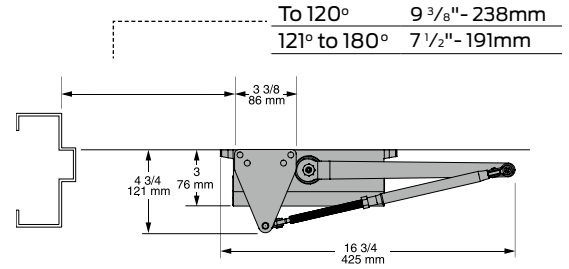
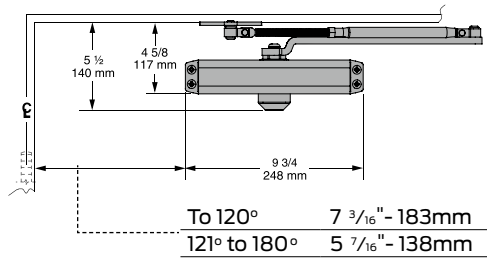
**Reveal** should not exceed 3 1/4" (83mm) for regular arm or hold-open arm.

**Backcheck** closer with the backcheck option requires 105° mounting.



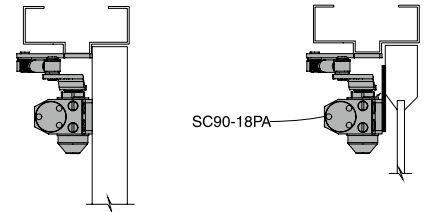


# SC93/94 Parallel (push side)

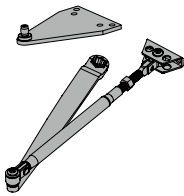


**Butt hinges** should not exceed 5" (127mm) in width.

**Auxiliary stop** is recommended at hold-open point or where a door cannot swing 180°. Backcheck closer with the backcheck option requires 105° mounting.

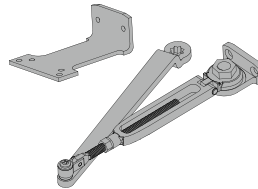


## Arm types All SC90 Series closers come with standard arm and screw pack.



### Regular arm, SC90-3077PA

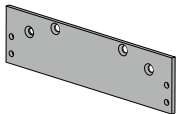
Non-handed arm with adjustable forearm assembly to accommodate a range of doors and frame reveal conditions. Mounts hinge side, top jamb or parallel arm. PA shoe included to allow installation in a parallel arm configuration.



### Hold-open arm, SC90-3049PA

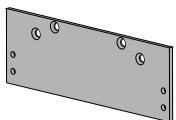
Optional, non-handed, hold open arm with adjustable forearm assembly to accommodate a range of doors and frame reveal conditions. Mounts hinge side, top jamb or parallel arm. PA shoe included to allow installation in a parallel arm configuration.

## Installation accessories



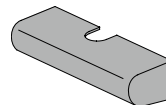
### Plate, SC90-18

Required for top jamb mounting where head frame is less than 1 3/4" (44mm) or flush ceiling conditions exists. Available only with SC93/94.



### Plate, SC90-18PA

Required for parallel arm mounting where top rail is less than 4 5/8" (117 mm), measured from the stop. Plate requires 2 1/8" (54mm) minimum top rail measured from stop. Available only with SC93/94.



### Cover, SC90-72

Optional non-handed, slim plastic cover. Available only with SC93/94.

# OHC100 Series



Overhead concealed closers control door opening and closing, while providing an aesthetically pleasing design option for both interior and exterior use. The Falcon OHC100 Series is used with aluminum doors and frames, providing years of maintenance-free performance.

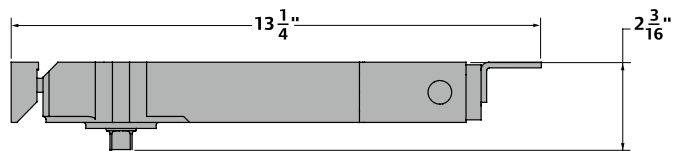
## Standard features

- Economical option for overhead concealed closer
- Retrofittable, matches Jackson hole pattern
- Cast iron construction ensures lasting durability
- Fits inside standard aluminum frame header for improved aesthetics and increased security.
- 90° and 105° standard opening with optional hold-open
- Multiple size options available:
  - OHC 101 adjustable sizes 1-3 / grade 1
  - OHC 100 adjustable sizes 3-5 / grade 3
- 5 - year warranty

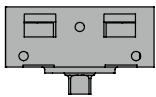
**Top view**



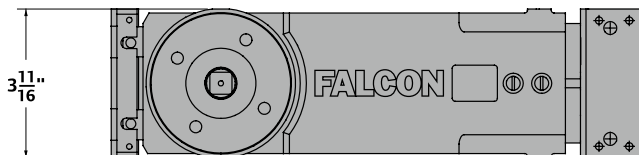
**Side view**



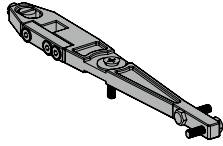
**End view**



**Bottom view**

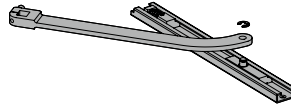


## Installation accessories



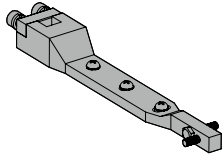
### **"S" arm, OHC100-SL, OHC100A-SL**

Non-handed arm, side load, center hung, steel forge.



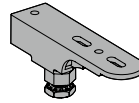
### **"VO" arm, OHC100-VO, OHC100A-VO**

Non-handed arm, offset arm w/ slide channel, steel forge.



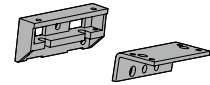
### **"A" arm, OHC100-EL, OHC100A-EL**

Non-handed arm, end load, center hung, steel forge.



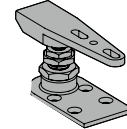
### **"GE" pivots, OHC100-GE, OHC100A-GE**

Non-handed, adjustable height, center hung, used with side load arm.



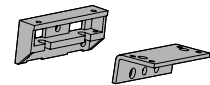
### **"FK" mounting brackets, OHC100-FK**

Provides anchorage for fixed size cylinder to the door frame.



### **"DP" pivots, OHC100-DP, OHC100A-DP**

Non-handed, adjustable height, center hung, used with end load arm.



### **"AFK" mounting brackets, OHC100A-FK**

Provides anchorage for adjustable size cylinder to the door frame.



# 8200 Series

## The automatic operator that changes everything

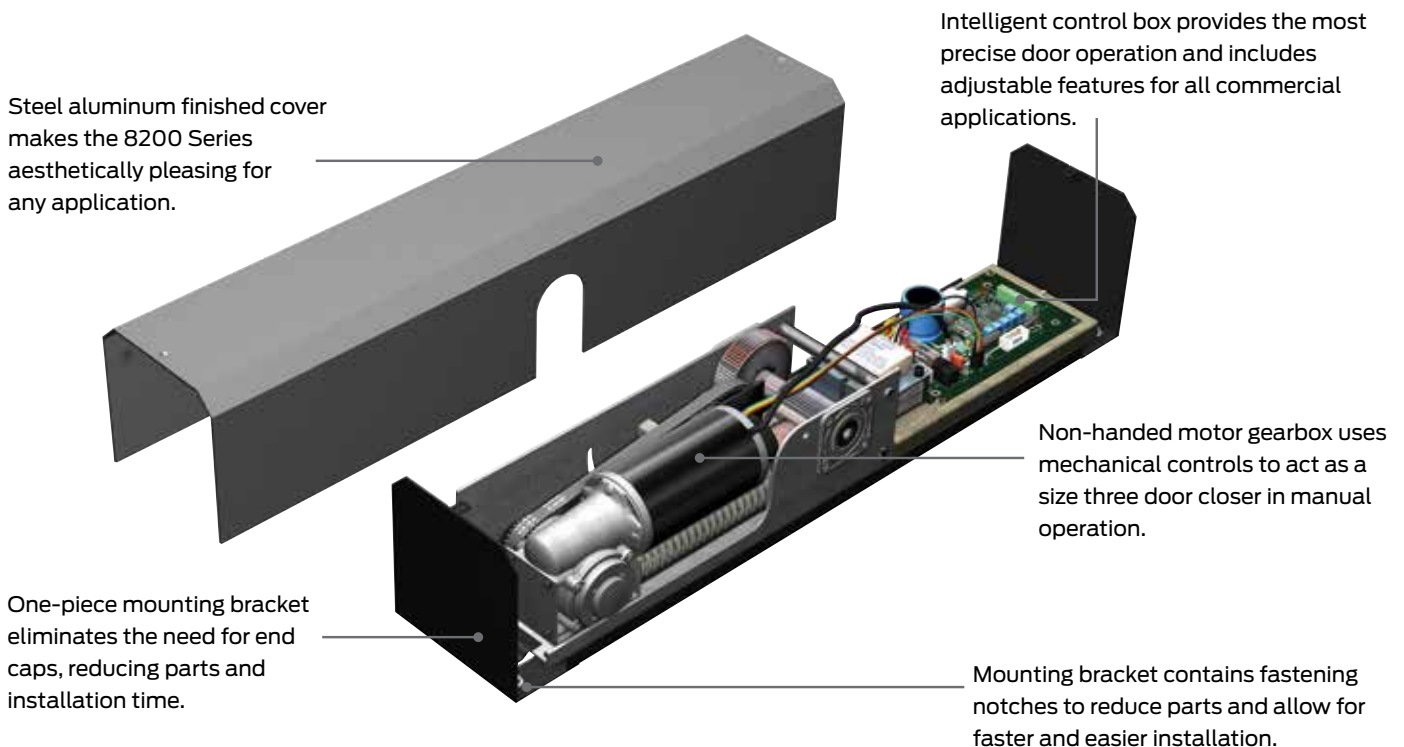
### Beauty, value and versatility are now automatic

When you need a smart solution to improve accessibility the Falcon 8200 Series fits perfectly. Designed for applications like assisted living and ambulatory care, where ease of use is critical, the Falcon automatic operator provides dependable performance at an affordable price point. Everything you need is right in the box, making installation quick and simple. All necessary features are built right in, so configuring the closer is simple and you can easily make more openings more accessible than ever.

### Designed to fit perfectly


The small footprint and elegant design of the Falcon 8200 Series make it a perfect solution for a range of applications.


• Assisted living • Hospitality • Retail • Small office • Restaurants • Ambulatory care








The Falcon 8200 Series automatic operator ensures smooth, convenient door opening for areas requiring easy accessibility and ADA compliance. This versatile device can also be easily integrated into electrified openings with our wireless accessory offering. Choose the 8231 for pull side or the 8242 for push side installation.


 **SmartLatch** – Senses and overcomes external pressure conditions with a graduated energy assist for secure latching.

 **Push 'n' Go** – Selectable feature allows door to open automatically as soon as it feels pressure.

 **Open position learning** – Automatically sets the opening position and detects obstructions to eliminate wall and door damage.

 **Pre-load strike assist** – Removes load on strike lip with a one second delay allowing the door to release and automatically open.

 **LED light illumination** – Light illumination on control box signals accurate installation and helps with connection diagnostics.

 **On board power supply (12 VAC)** – Powers actuators and receivers without the need to install an external power supply.

### Specifications

Header length	26"
Mounting	Surface mount
Handing	Non-handed
Cycle tested	1 million gear box
Door weight	200 pounds

Consult technical services for use on doors over 200 lbs.

Adjustable features:

- Hold-open time delay
- Backcheck speed
- Backcheck/latch position
- Opening/closing speed

## Actuators & accessories



8310-852T shown

### 6" Round – text with logo

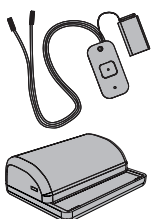
8310-852T	Push plate, wall mount
8310-869F	Mounting box, flush
8310-869S	Mounting box, surface
8310-802	Weather ring



8310-818T shown

### 1 1/2" x 4 3/4" Jamb – text with logo

8310-818T	Push plate, jamb mount
8310-819F	Mounting box, flush
8310-819S	Mounting box, surface

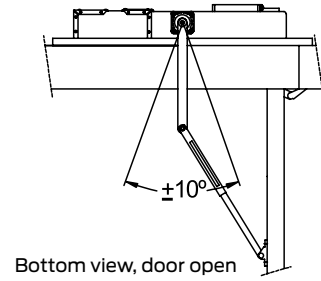
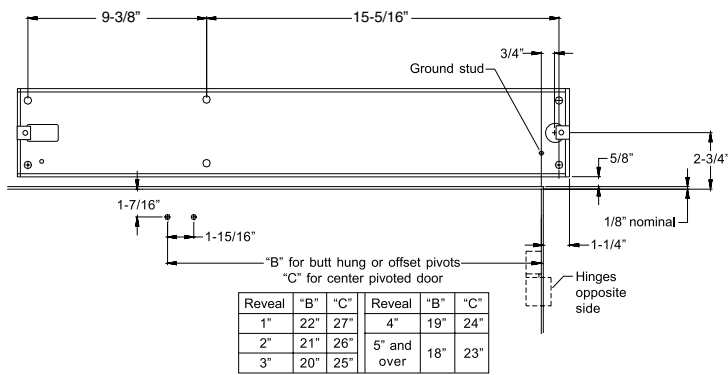


8310-844J and 8310-865 shown

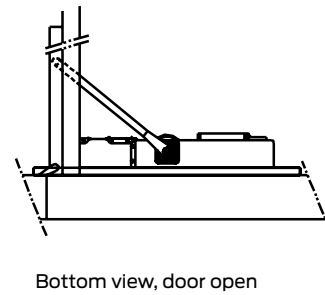
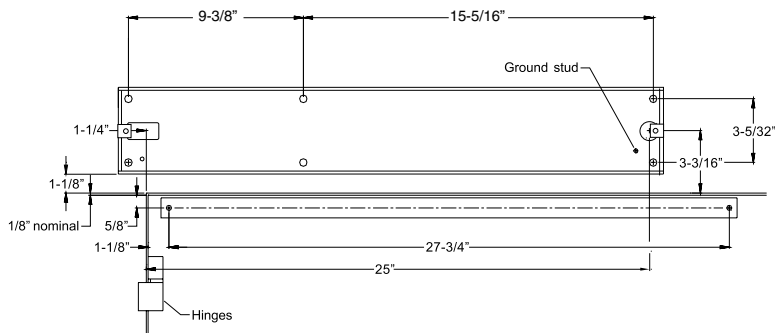
### Wireless transmitters & receiver

8310-844	Transmitter, wall mount (to be used with 6" round wall mounted actuator)
8310-844J	Transmitter, Jamb mount (to be used with 1 1/2" x 4 3/4" jamb actuator)
8310-861	Transmitter, Handheld (single button wireless handheld transmitter)
8310-865	Receiver (wireless receiver with sequencing function)

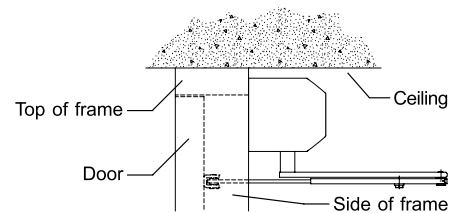
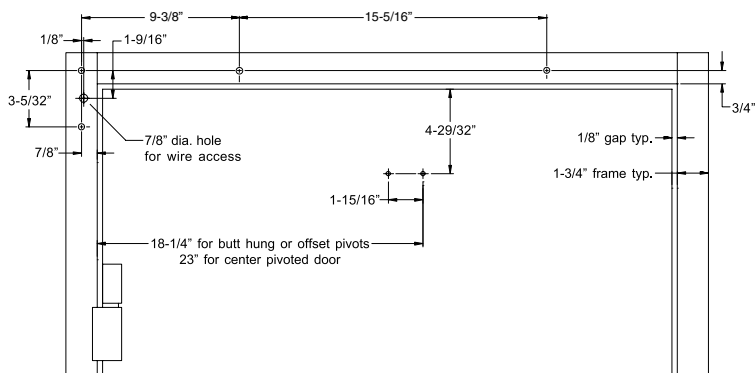
## 26" Push system



## 26" Pull system



## 26" Drop system (push system only)





# How to order

## 8200 Series

		Cylinder	Size	Cover	Finish	Arm	Accessories
<b>STD</b>	Standard						
<b>3</b>							
<b>Full</b>	26"						
<b>Aluminum</b>							
<b>Push</b>	8242						
<b>Pull</b>	8231						
<b>Order separate</b>	8310-XXX						

## SC60 Series

		Cylinder	Size	Cover	Finish	Arm	Accessories
<b>STD</b>	Standard						
<b>DEL</b>	Delay (optional, available with SC60/61 only, please specify)						
<b>1-5</b>	SC61						
<b>Slim</b>	SC60-72 (optional, available with SC60/61 only, please specify)						
<b>Aluminum</b>							
<b>Dark Bronze</b>							
<b>Brass*</b>							
<b>RW/PA</b>	Regular with parallel arm shoe						
<b>HW/PA</b>	Hold open with parallel arm shoe						
<b>HD</b>	Heavy duty arm						
<b>DS</b>	Dead stop arm						
<b>DS/HO</b>	Dead stop hold open arm						
<b>SS</b>	Spring stop arm						
<b>SS/HO</b>	Spring stop hold open arm						
<b>Soffit shoe support</b>	SC60-30						
<b>Blade stop spacer</b>	SC60-61						
<b>Auxiliary shoe</b>	SC60-62A						
<b>Plate</b>	SC60-18						
<b>Plate PA</b>	SC60-18PA						

\*(Available as an option only. contact customer service at 1-877-671-7011 for more information.)

## SC70 Series

		Cylinder	Size	Cover	Finish	Arm	Accessories
<b>STD</b>	Standard						
<b>DEL</b>	Delay						
<b>1-6</b>	SC71						
<b>Full</b>	SC70-72						
<b>Aluminum</b>							
<b>Dark bronze</b>							
<b>Brass*</b>							
<b>RW/PA</b>	Regular with parallel arm shoe						
<b>HW/PA</b>	Hold open with parallel arm shoe						
<b>HD</b>	Heavy duty arm						
<b>DS</b>	Dead stop arm						
<b>DS/HO</b>	Dead stop hold open arm						
<b>SS</b>	Spring stop arm						
<b>SS/HO</b>	Spring stop hold open arm						
<b>FA</b>	Forged arm						
<b>FA/HO</b>	Forged arm with hold open						
<b>Soffit shoe support</b>	SC70-30						
<b>Blade stop spacer</b>	SC70-61						
<b>Auxiliary shoe</b>	SC70-62A						
<b>Plate</b>	SC70-18						
<b>Plate PA</b>	SC70-18PA						

(Available as an option only. contact customer service at 1-877-671-7011 for more information.)

## SC80 Series

		Cylinder	Size	Cover	Finish	Arm	Accessories
<b>STD</b>	Standard						
<b>DEL</b>	Delay						
<b>1-6</b>	SC81						
<b>Slim</b>	SC80-72						
<b>Full</b>	SC80-72FC (optional, please specify)						
<b>Aluminum</b>							
<b>Dark bronze</b>							
<b>Brass*</b>							
<b>RW/PA</b>	Regular with parallel arm shoe						
<b>HW/PA</b>	Hold open with parallel arm shoe						
<b>HD</b>	Heavy duty arm						
<b>DS</b>	Dead stop arm						
<b>DS/HO</b>	Dead stop hold open arm						
<b>SS</b>	Spring stop arm						
<b>SS/HO</b>	Spring stop hold open arm						
<b>Soffit shoe support</b>	SC80-30						
<b>Blade stop spacer</b>	SC80-61						
<b>Auxiliary shoe</b>	SC80-62A						
<b>Plate</b>	SC80-18						
<b>Plate - full cover</b>	SC80-18FC						
<b>Plate PA</b>	SC80-18PA						
<b>Plate PA - full cover</b>	SC80-18PAFC						

(Available as an option only. contact customer service at 1-800-266-4456 for more information.)

## SC90 Series

		Cylinder	Size	Cover	Finish	Arm	Accessories
STD	Standard						
1	SC91						
3	SC93						
4	SC94						
Full	SC90-72						
Aluminum							
Dark bronze							
Brass**							
RW/PA	Regular with parallel arm shoe						
HW/PA	Hold open with parallel arm shoe						
Plate	SC90-18 (available with SC93/94 only)						
Plate PA	SC90-18PA (available with SC93/94 only)						

\* optional, available with SC93/94 only, please specify      \*\* Available as an option only. contact customer service at 1-800-266-4456 for more information.

## OHC100 Series

			Cylinder	Size	Arm finish	Arm	Accessories
<b>STD 90°</b>	Standard	<b>STD 105°</b>					
<b>HO 90°</b>	hold open	<b>HO 105°</b>					
<b>1-3</b>	OHC101	Adjustable					
<b>3-5</b>	OHC100	Adjustable					
<b>Aluminum</b>							
<b>Dark Bronze</b>							
<b>S</b>	Side load arm						
<b>A</b>	End load arm						
<b>VO</b>	Offset arm and track						
<b>FK bracket</b>							
<b>AFK bracket</b>							
<b>GE pivot*</b>							
<b>DP pivot*</b>							

\*not available with VO arm type

## Cylinder options

**Standard cylinder (STD)** – Standard cylinder provides a main speed function to control the motion of the door from maximum opening angle until the door is a few inches from the latch where latch function controls the final closing motion. The opening swing is controlled by the hydraulic backcheck function from about 70° to maximum opening angle.

**Delayed action cylinder** – Special cylinder provides a separate adjustable delayed closing motion from maximum opening angle to approximately 70°. Then the main speed function controls the door motion until the door is a few inches from the latch where latch function controls the final closing motion. During the opening swing the door is controlled by the hydraulic backcheck function from about 70° to maximum opening angle.

## Competitive cross reference

### Surface closer cross reference

Falcon	SC60	SC70	SC80	SC90
Norton	*1600BC	*7500/ 7700	*8500	1700BC
Hager	*5300	5100	*5200	5400
Stanley	*D-1650	D-4550	D-3550	
Yale	*50/ 51BC/1100	*4400	3300/ *3500	5100BC
Sargent	*1130	280/350	*1330	
Corbin		DC8000	DC3000	
Dorma	7400	8900	*8600	7300/ 7200

\* identical footprint to listed Falcon closer.

### Concealed closer cross reference

Falcon	OHC100 Series
Dorma	RTS88
Global	TC7000
International	Series 200, Series 300, Series 500
Jackson	20-330
Kawneer	Husky II
Sentinel	30 Series

# Sample specifications

## Large cylinder closer

### 2.01 Closers and door control devices

A. Where manual closers are indicated for doors required to be accessible to the physically challenged, provide adjustable units complying with ANSI A117.1 provisions for door opening force and delayed action closing.

B. Shall conform to ANSI A156.4, grade 1, NFPA 80, NFPA 101 and UL10C.

C. Closers shall be aluminum construction with steel lever arms, independent adjusting valves for closing, latching and back check. Hydraulic regulation controlled by tamper-proof, non-critical screw valves. All closer adjustments shall be shielded by plastic cover after installation. Pressure relief valve, PRV, doors closers will not be permitted.

D. Full rack-and-pinion type closer, single-piece forged piston, chrome silicon steel spring, non-critical screw valves; backcheck, main speed and latch.

E. Closers to be non-sized, field adjustable from size 1 to 6.

F. Furnish all large cylinder non-sized closers with minimum 1 1/2" diameter piston.

G. Install closers to allow maximum degree of opening, position backcheck to activate well in advance of the stop position to cushion the swing and prevent door and frame damage. Do not use door closer to stop door travel.

Unless specified, install closers with thru-bolt mounting method on metal and wood doors. Do not thru bolt if there has been special blocking specified in the wood door specification. Coordinate with the wood door specification.

H. Available manufacturers: Subject to compliance with requirements. See competitive cross reference above.

## Warranty

Falcon Door Hardware warrants its mechanical offering of locks, exit devices and door controls products manufactured to be free from defects in materials and workmanship for a period of **ten (10) years** from the date of manufacture with the exception of the products detailed in the table below. The terms and conditions of this new warranty apply to Falcon Door Hardware shipments made on or after November 1<sup>st</sup>, 2008.

This limited warranty does not cover products that (i) are not the proper size for the application; (ii) are not installed in accordance with Falcon's published installation instructions; (iii) are installed with improper or incorrect parts; (iv) have been, in the opinion of Falcon, modified, repaired, or altered in any way without the express written consent of Falcon; (v) are used for purposes which they are not designed or intended; (vi) are subjected to misuse, abuse, negligence, or accident; or (vii) are grade 2 products used in educational facilities. The following costs and expenses are not covered by the provisions of this limited warranty; (i) labor costs for the removal and reinstallation of products; (ii) shipping and freight expenses required to return products to Falcon; (iii) normal maintenance; and (iv) economic losses. **The provisions of this warranty do not apply to finishes.**

Falcon will replace the products which, in the opinion of Falcon, are found to be defective, provided said products are returned to Falcon.

FALCON SHALL IN NO EVENT BE LIABLE FOR ANY INCIDENTAL, CONSEQUENTIAL, INDIRECT, SPECIAL, OR PUNITIVE DAMAGES FOR ANY CLAIM WHETHER BASED ON CONTRACT; WARRANTY, TORT (INCLUDING, BUT NOT LIMITED TO, STRICT LIABILITY OR NEGLIGENCE), PATENT INFRINGEMENT, OR OTHERWISE, EVEN IF ADVISED OF THE POSSIBILITY OF SUCH DAMAGES.

This limited warranty is in place of all other warranties, expressed or implied, and excludes any warranties of fitness for a particular purpose or merchantability. No agent, representative, dealer, or employee of Falcon has the authority to increase or alter the obligations of this limited warranty.

Note: Should the Product be considered a "consumer product" as may be covered by the Magnuson-Moss Federal Warranty Act, please be advised that: (1) Some states do not allow limitations on incidental or consequential damages or how long an implied warranty lasts, so that the above limitations may not fully apply; and (2) This warranty gives specific legal rights and a user may have rights which may vary from state to state.

Falcon, Allegion, 121 West Railroad Avenue, Princeton, IL 61356

<b>Product Exception</b>	<b>Warranty</b>
OHC100A Concealed closure	5 years
Electronics/ electrified	1 years

## About Allegion

Allegion (NYSE: ALLE) creates peace of mind by pioneering safety and security. As a \$2 billion provider of security solutions for homes and businesses, Allegion employs more than 8,000 people and sells products in more than 120 countries across the world. Allegion comprises 27 global brands, including strategic brands CISA®, Interflex®, LCN®, Schlage® and Von Duprin®.

For more, visit [allegion.com](http://allegion.com)

*aptiQ* ■ LCN ■ **SCHLAGE** ■ STEELCRAFT ■ VON DUPRIN