

## Boiler Drains

262408



**\*\* Not for potable water use \*\***

### Product Features

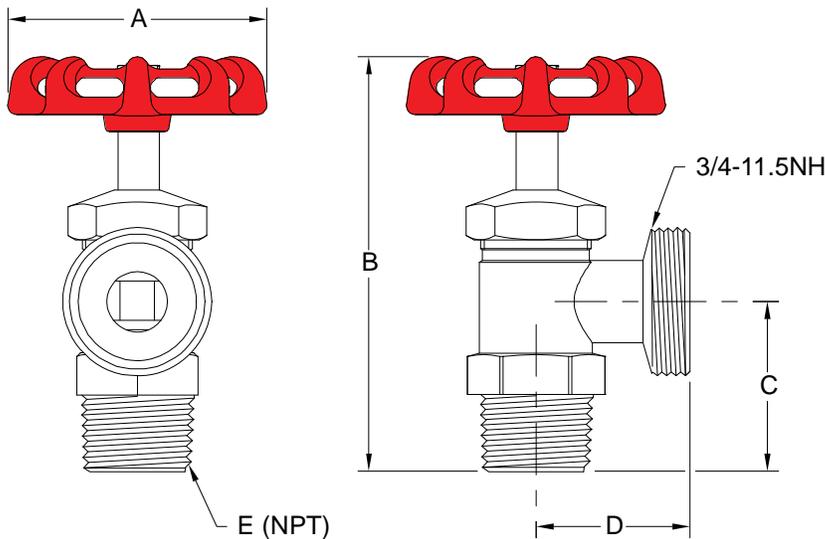
- Boiler drain
- Available in 1/2" MIP
- 3/4" garden hose outlet
- Forged brass construction
- Not for use with potable water systems

### Performance Specifications

- Max. working pressure rating: 150 PSI
- Working temperature range: up to 180°F

### Compliance

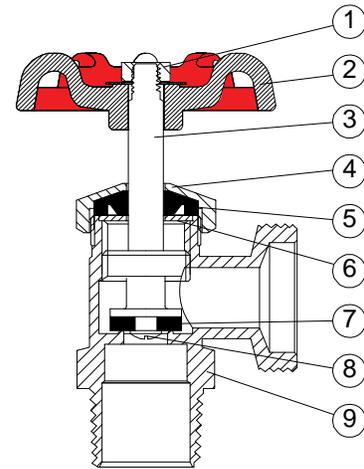
- ASME B1.20.1 (pipe threads)



All dimensions are nominal.

Model	Size	A	B	C	D	E (NPT)
262408	1/2"	2-1/8"	3"	1-1/4"	1-1/8"	1/2" MIP

Warning: It is unlawful to use this product with water systems that convey or dispense water for human consumption.



No.	Part	Material	Qty
1	Handle nut	Chromate-plated steel	1
2	Handle	Cast iron	1
3	Stem	C37700 brass	1
4	Bonnet nut	C37700 brass	1
5	Packing	NBR	1
6	Washer	304 stainless steel	1
7	Seat	NBR	1
8	Seat screw	C37700 brass	1
9	Body	C37700 brass	1