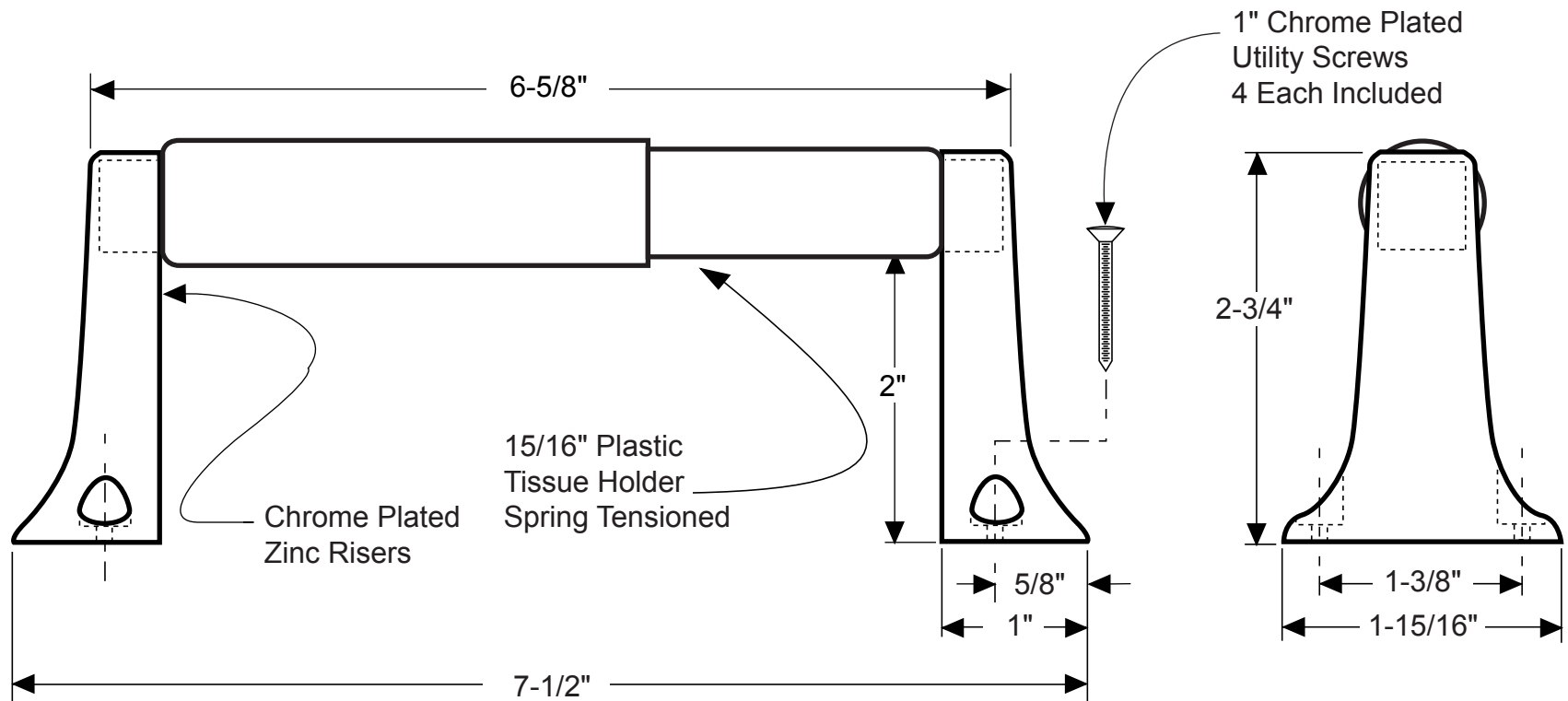


PROPLUS[®]

Toilet Tissue Holder

Exposed Screw Style

553016 Specification



Dimensions Are for a Typical Installation